

AF LINK CABLE

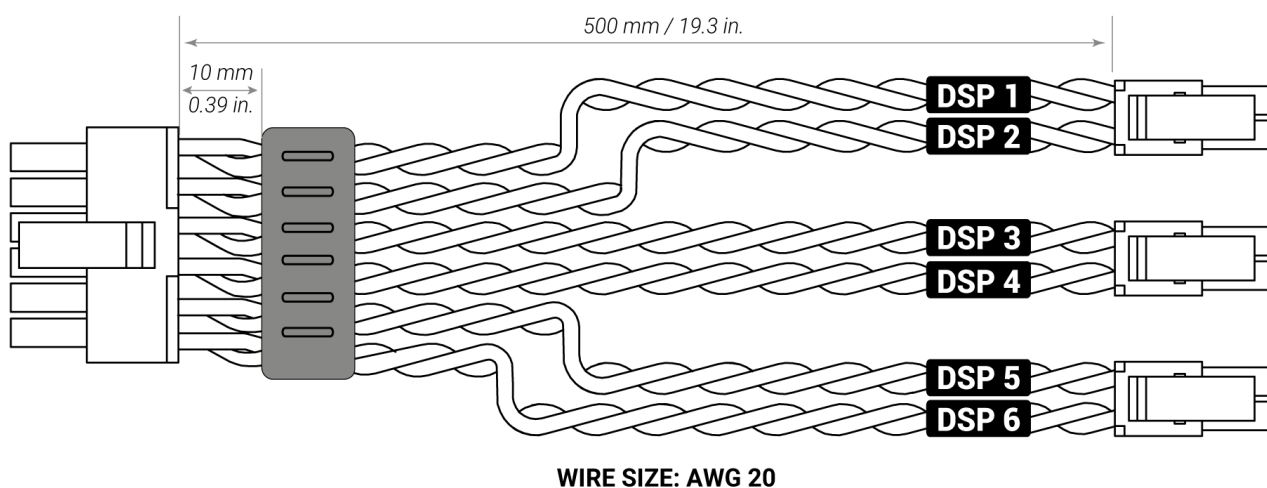
7 months ago Updated

Follow

The Audison AF Link is an accessory cable to connect the DSP OUT outputs of the Audison AF bit amplifiers to the PRE IN inputs of the Audison AF D amplifiers.

The Audison AF amplifiers line bit features 6 DSP OUT outputs, which can be connected to the same number of PRE IN inputs. The only exception is the AF M12.14 bit, which is equipped with the same connector DSP OUT connector, but only 2 of those outputs are available: DSP 5 and DSP 6 (in the AF M12.14 bit the outputs DSP 1 to DSP 4 replicate the same signal already applied to the amplified channels 9, 10, 11 and 12, therefore it is suggested to not use them simultaneously).

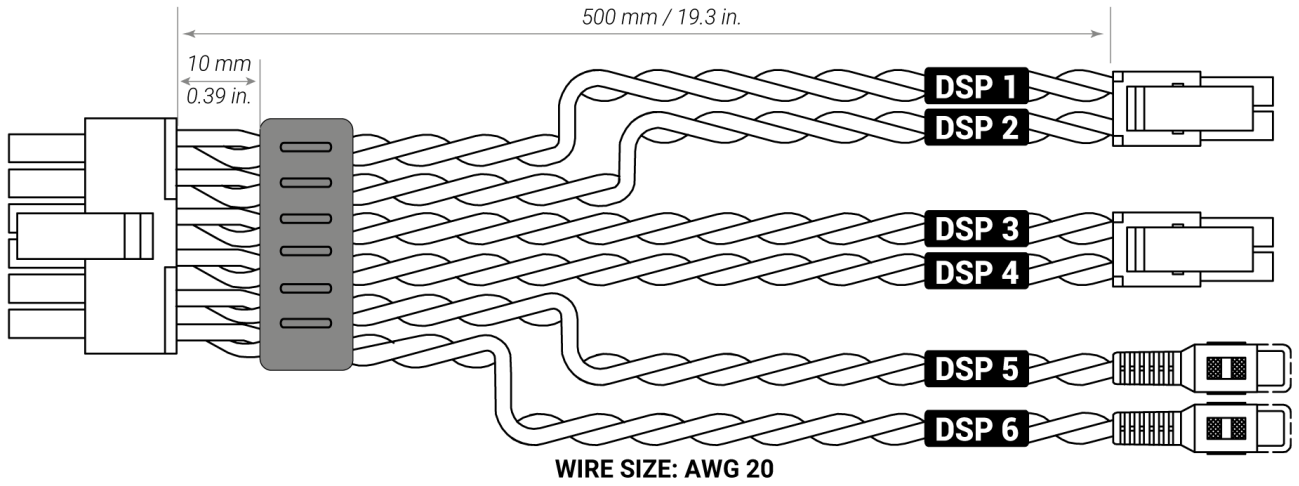
Fig. 1



WARNING: the cable is compatible only with the inputs of the Audison AF D amplifiers.

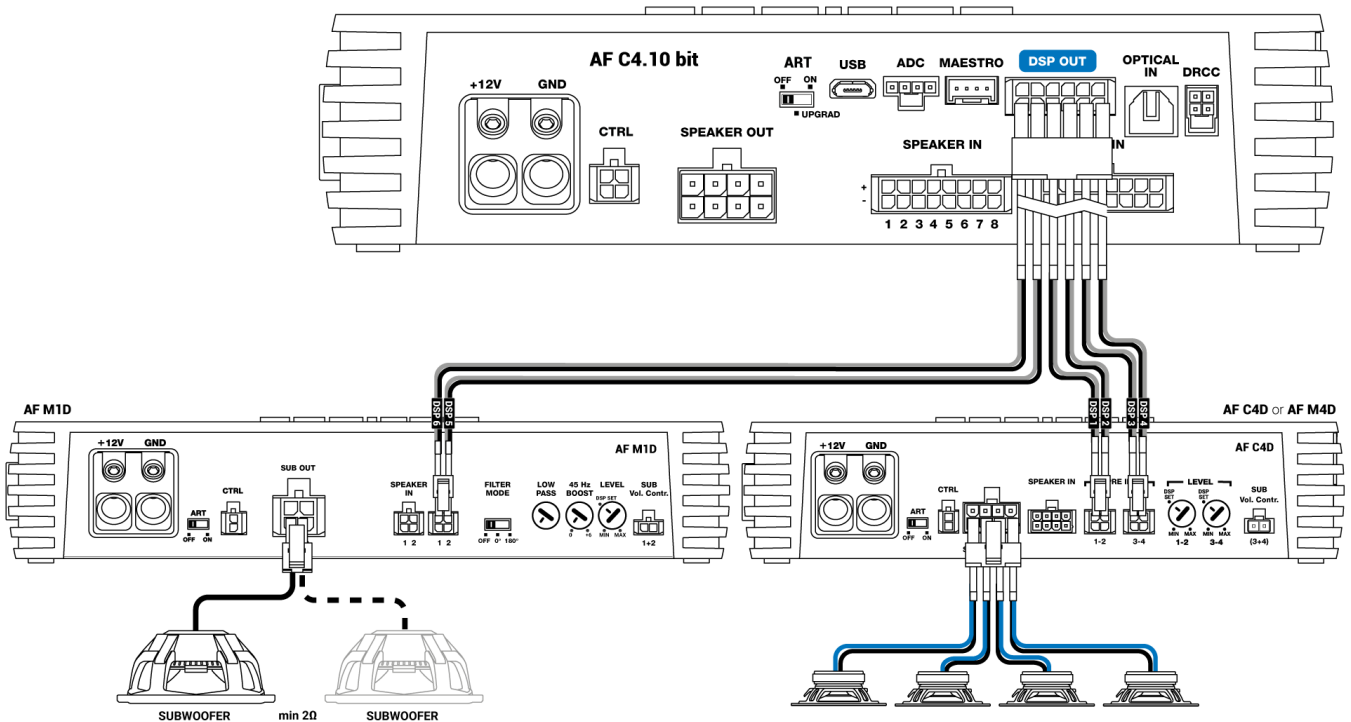
If you want to use it with other amplifiers models, you will need to cut one or more of its Molex connectors according to how many outputs are needed and solder them to RCA female connectors, pay attention to respect the polarity (white wire is the positive pole, while white wire with black line is the negative pole).

Fig. 2

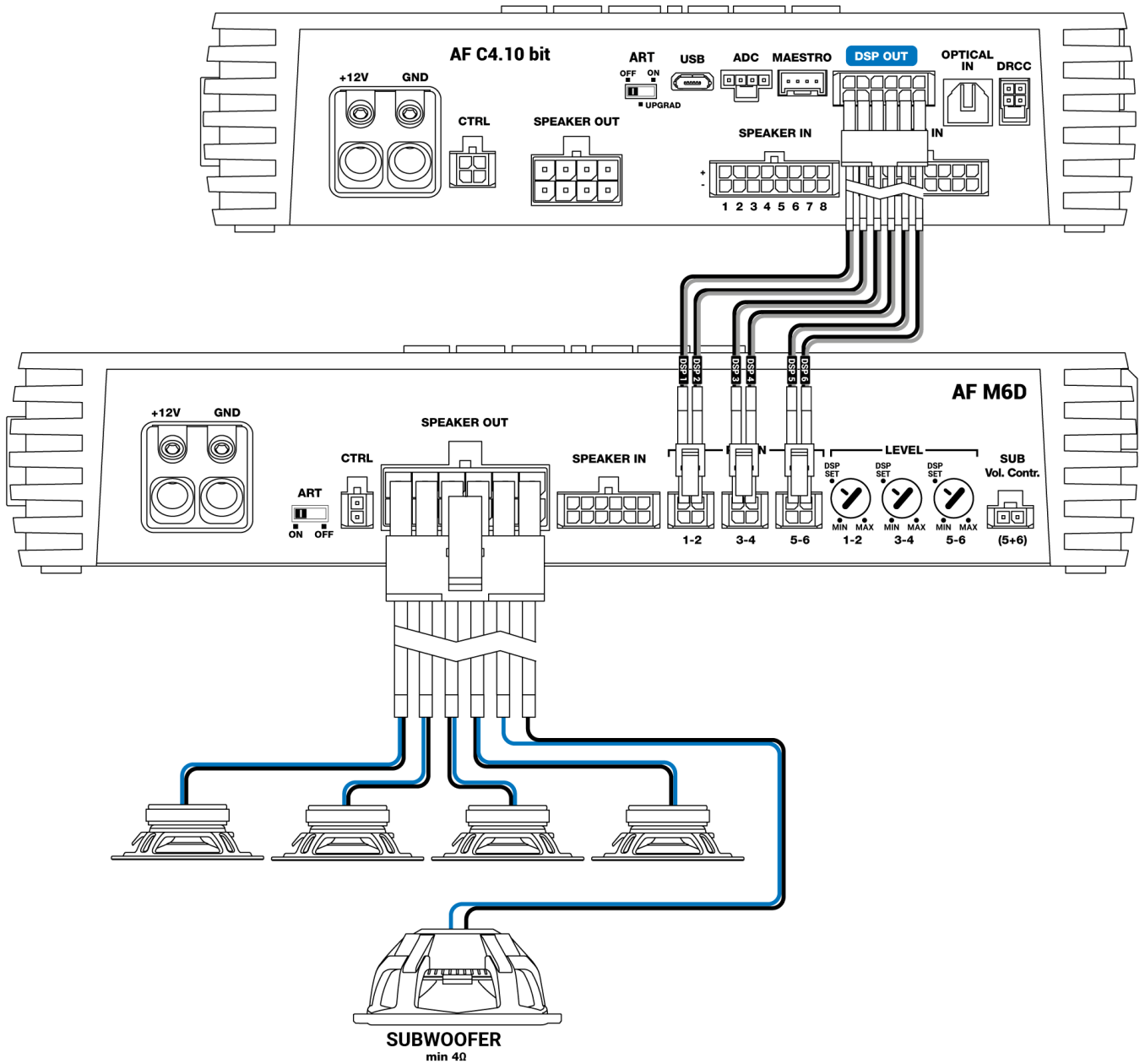


EXAMPLES OF CONNECTION

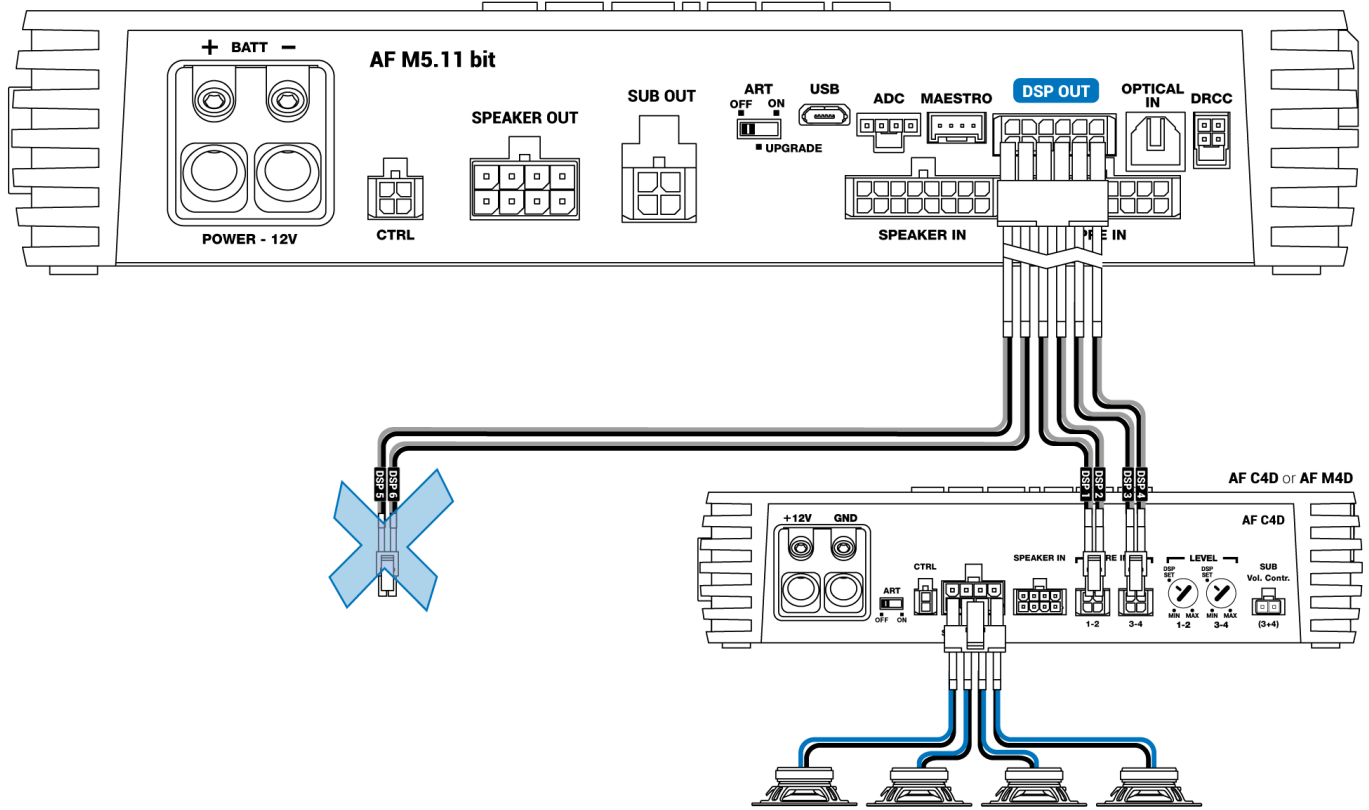
1. AF C4.10 bit + AF M4D or AF C4D + AF M1D



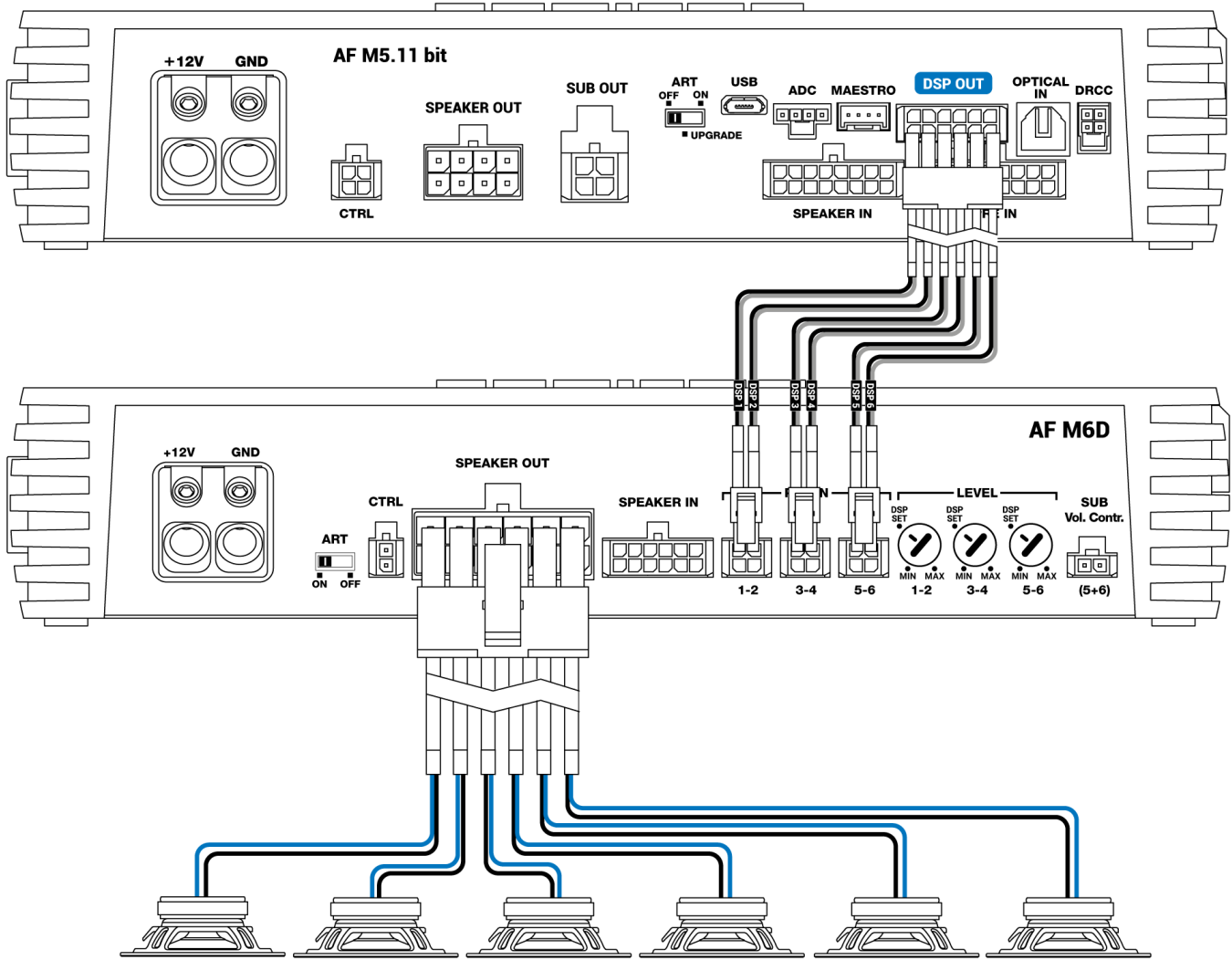
2. AF C4.10 bit + AF M6D



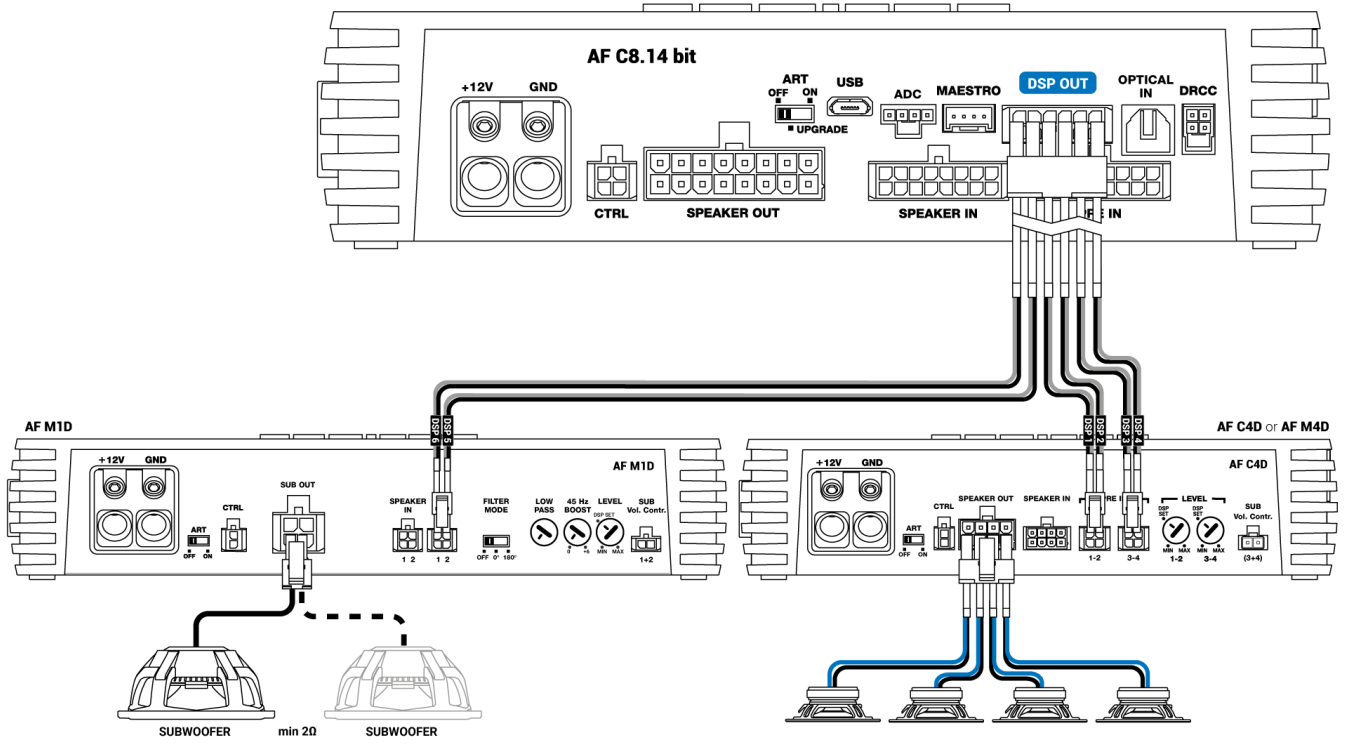
3. AF M5.11 bit + AF C4D or AF M4D



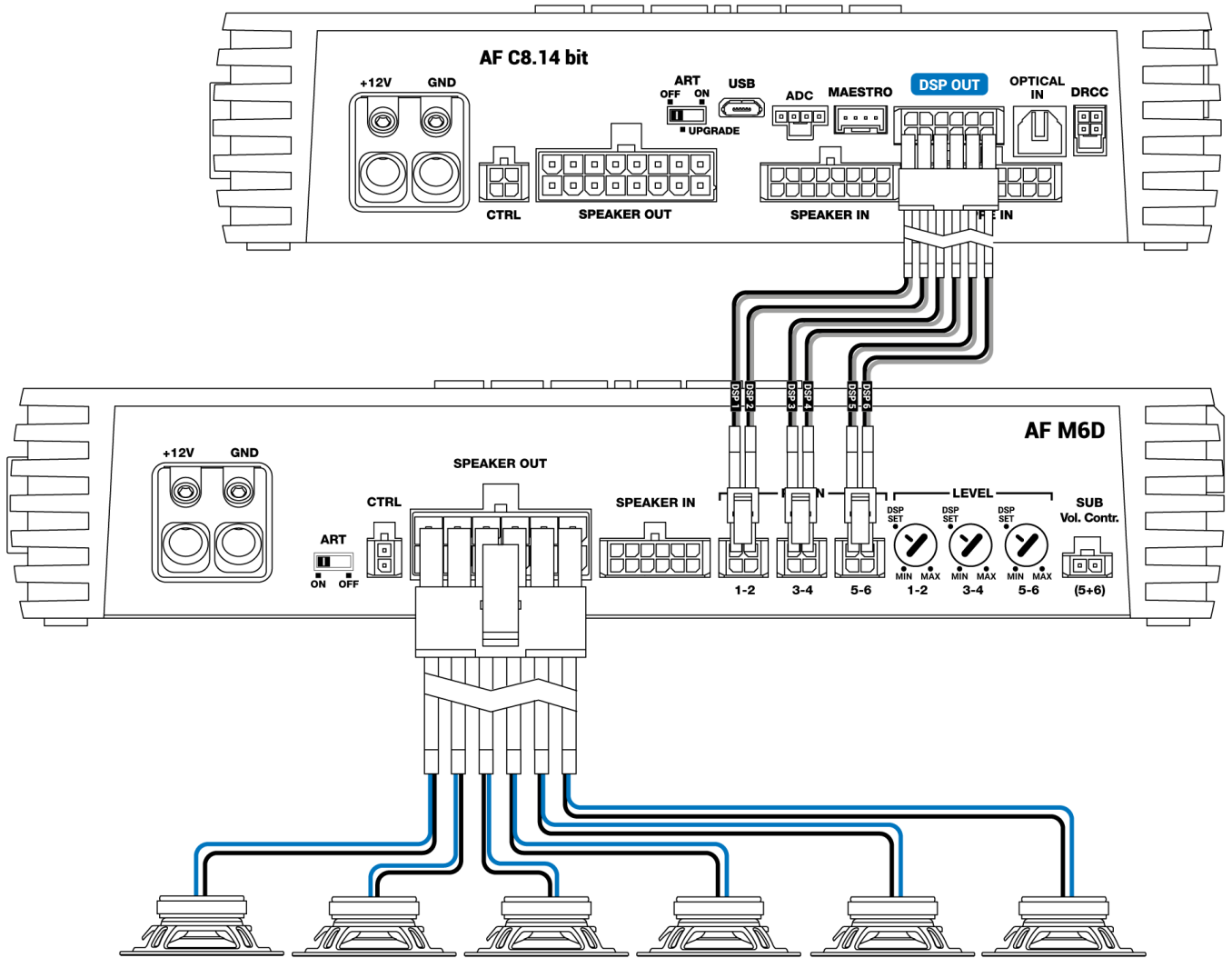
4. AF M5.11 bit + AF M6D



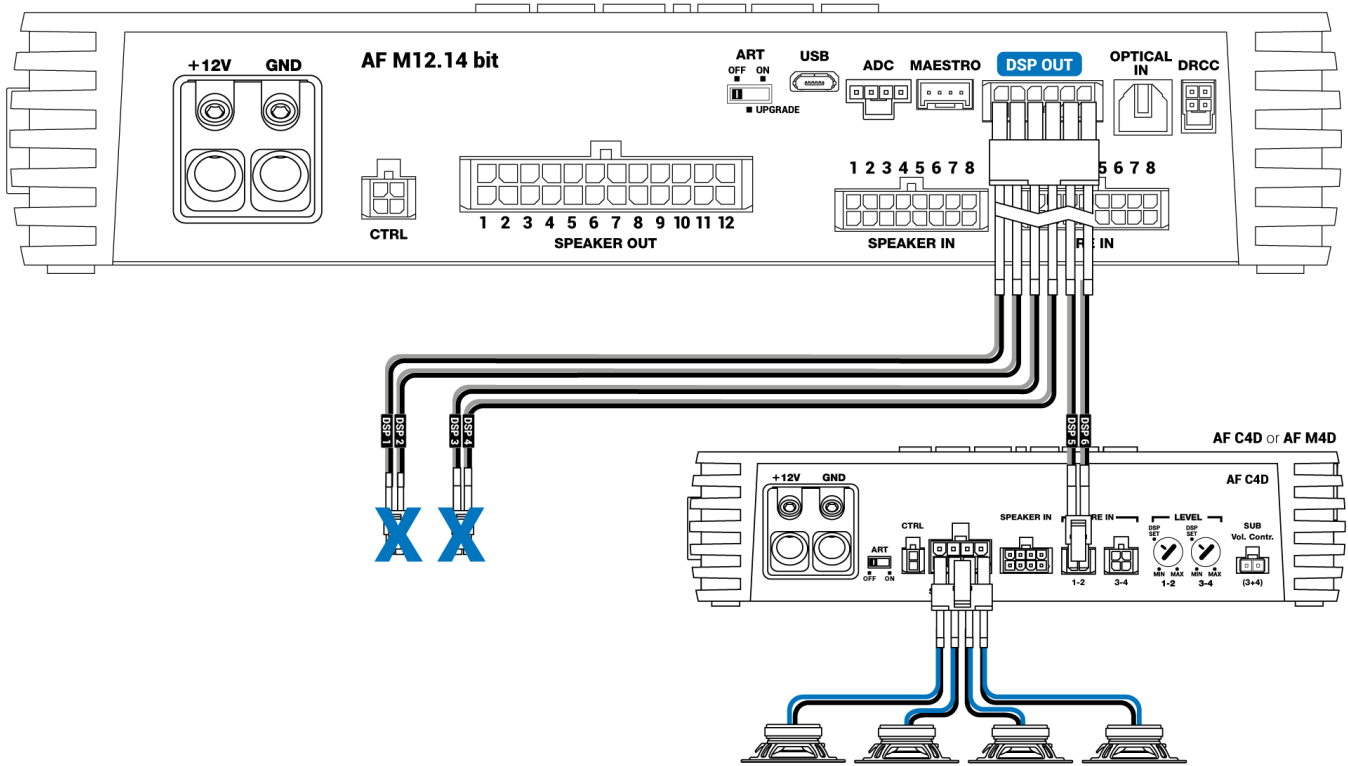
5. AF C8.14 bit or AF M8.14 bit + AF C4D or AF M4D + AF M1D



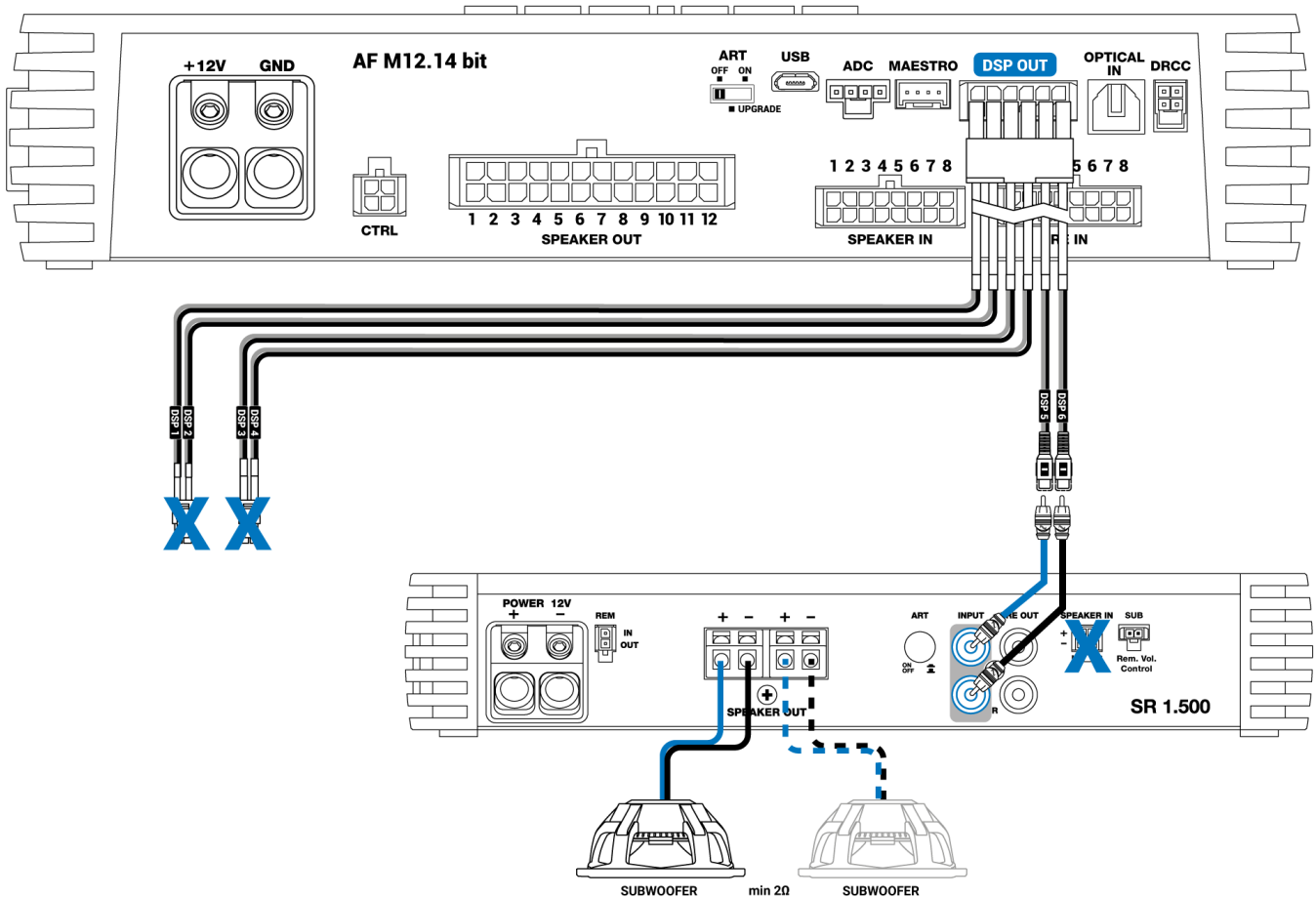
6. AF C8.14 bit or AF M8.14 bit + AF M6D



7. AF M12.14 bit + AF M1D



8. AF M12.14 bit + SR 1.500



WARNING: the cable is compatible only with the inputs of the Audison AF D amplifiers.

If you want to use it with other amplifiers models, you will need to cut one or more of its Molex connectors according to how many outputs are needed and solder them to RCA female connectors, pay attention to respect the polarity (white wire is the positive pole, while white wire with black line is the negative pole).