

Prima

# APS 10 S4S

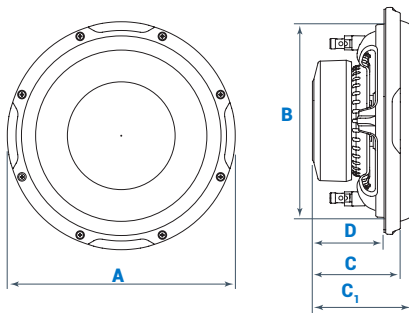
Shallow subwoofer  
**800 W**



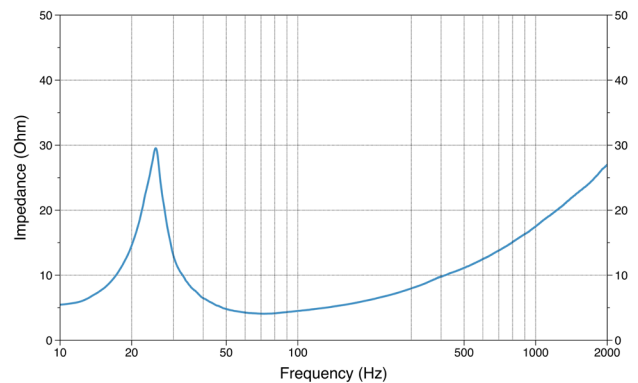
TECHNICAL SPECIFICATIONS		
Component		Subwoofer
Size	mm (in.)	250 (10)
Power Handling	W peak	800
	W continuous	400
Impedance	Ω	4
Magnet size D x d x h	mm (in.)	140 x 70 x 30 (5.51 x 2.76 x 1.18)
Weight of one component	kg (lb.)	5,24 (11.56)
Voice Coil Ø	mm (in.)	60,5 (2.38)

ELECTRO-ACOUSTIC PARAMETERS		
D	mm	220
Xmax	mm	12,6
Re	Ω	3,7
Fs	Hz	28,5
Le	mH	1,9
Vas	l	39,62
Mms	g	160
Cms	mm/N	0,20
BL	T·m	12,9
Qts		0,68
Qes		0,75
Qms		6,9
Spl	dB	83,5

1. Ultra-low profile (4.7 in. / 120 mm) for maximum installation flexibility.
2. Designed to deliver maximum performance in a sealed enclosure starting from 10 lt.
3. Special designed cone-dustcap-basket geometry which guarantees a long linear excursion capability (11 mm, one-way) while keeping the mounting depth to minimum.
4. Air vents on the basket underneath the spider, eliminating the need for the central pole vent allowing mounting close to rear wall of enclosure.
5. Massive motor assembly, optimized with FEM (Finite Element Modeling) for perfect control under high power, high excursion conditions.
6. Water-repellent treated paper 10 in. cone, featuring a profile developed with FEM simulation and optimized with the Klippel Scan Vibrometer.
7. Single voice coil design specifically developed to be combined with either AP F8.9 bit (2 CH bridged - 260 W RMS) amplifiers taking advantage of the bass boost feature and integrated parametric equalizer of the built-in DSP.
8. Steel mesh grille and plastic gasket included.



A	B	C	C <sub>1</sub>	D	
270	233	105	119	88	mm
10.63	9.17	4.13	4.69	3.46	in.



**Elettromedia**  
62018 Potenza Picena (MC) Italy  
T +39 0733 870 870 - F +39 0733 870 880  
elettromedia.com

