



## W7AE: Tight

The ultimate no-compromise subwoofer for those seeking extreme output and sublime sound quality.



The JL Audio W7AE defines the reference for high-performance sub-bass.

Variants of the automotive W7AE's are used in our ultra-premium Fathom® and Gotham® powered home subwoofers. These have received stellar ratings from the world's leading reviewers and are in daily use at some of the world's top recording and mastering studios.

The W7AE's unique proposition is its ability to deliver extreme output, accurate dynamics and sublime sound quality... all at the same time. The keys to these performance capabilities lie at the very core of loudspeaker design, where electromagnetic and mechanical behaviors combine in fiendishly complex ways. JL Audio's intense research into these behaviors allows us to optimize W7AE motor and suspension systems to faithfully reproduce every bass detail with unparalleled linearity and accuracy.

Eight U.S. Patents have been issued for motor, suspension and assembly technologies used in the W7AE's. All of these combine to create the overwhelming advantages that the W7AE's bring to the forefront.

Every W7AE subwoofer is built to exacting quality standards in our Miramar, Florida factory and manifests our passionate pursuit of great audio.



“...this speaker will do cataclysmic wave fronts — that happen at the front of the bass hit, something that is utterly profound.”

—Fast Cars (UK)

### Available Models / Rec. Power Range/Impedance

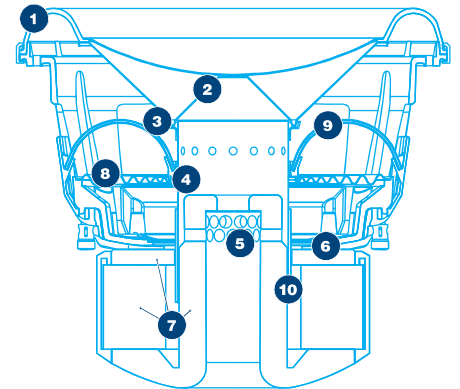
- 8W7AE: 8-inch, 200-500W RMS, 3Ω
- 10W7AE: 10-inch, 300-750W RMS, 3Ω
- 12W7AE: 12-inch, 400-1000W RMS, 3Ω
- 13W7AE: 13.5-inch, 500-1500W RMS, Dual 1.5Ω

### Recommended Sealed Enclosure Volume

- 8W7AE: 0.875 cu. ft.
- 10W7AE: 1.25 cu. ft.
- 12W7AE: 1.375 cu. ft.
- 13W7AE: 1.875 cu. ft.

### Key Technologies:

- **Patented W-Cone** = low mass with excellent stiffness
- **Patented OverRoll Surround** = extreme excursion without losing cone area
- **Patented Radial-Drilled Pole Piece** = improved power handling by venting interior of gap
- **Patented Elevated Frame Cooling System** = improved power handling by venting coil directly
- **Patented FCAM Assembly System** = improved moving parts alignment
- **Patented Lead Wire Management System** = improved lead wire reliability with no effect on spider
- **Patented Plateau Reinforced Spider Attach (RC)** = mechanical reinforcement of spider attachment
- **DMA-optimized motor systems** = lower distortion & higher output
- **Highly linear, FEA-optimized suspension systems** = lower distortion and improved reliability



- 01 - OverRoll™ Surround (U.S. Patent #5,687,247 and #5,949,898)
- 02 - W-Cone™ (U.S. Patent #6,496,590)
- 03 - Floating-Cone™ Attach Method (U.S. Patent #6,501,844)
- 04 - Plateau-Reinforced Spider Attachment (U.S. Patent #6,118,884)
- 05 - Radially Cross-Drilled Pole Piece (U.S. Patent #6,243,479)
- 06 - Massive Forced-Air-Cooled Aluminum Alloy Frame (U.S. Patent #D472,891, #6,219,431 and #6,229,902)
- 07 - Highly Linear, DMA-Optimized Motor System
- 08 - Huge Diameter, Progressive-Roll Spider
- 09 - Co-Extruded Double Lead-Wires
- 10 - Ultra-Long Voice Coil

### AE: Anniversary Edition

Beginning with the tenth anniversary of the introduction of our flagship automotive subwoofer drivers, every W7 model is built in “Anniversary Edition” (AE) trim, with a satin black frame finish and special badging.

In addition to the patented technologies listed above, multiple U.S. and International patents are currently pending.



**“Simply put,  
the JL Audio 8W7  
is the best damn  
8-inch subwoofer  
ever made.”**

— Car Sound & Performance (USA)



**“This gives an all round performance of  
such high quality on every level that bettering it  
will be very hard to achieve.”**

— Total Car Audio (UK)



**“It’s a totally seductive  
and completely absorbing  
engulfment in bass.”**

— Mobile Entertainment (USA)